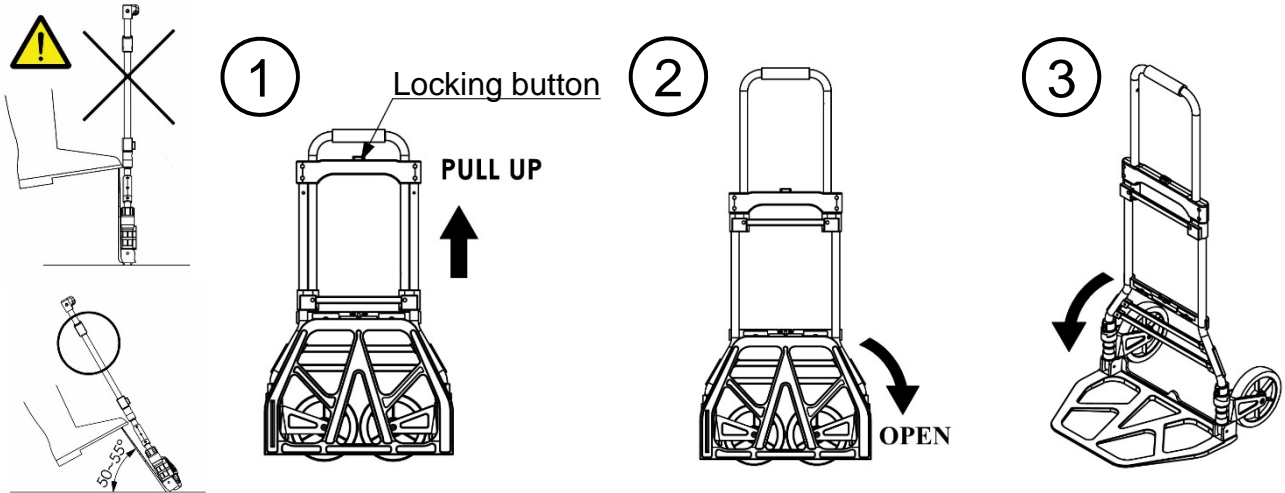


INSTRUCTIONS

H-003B-1

MAX LOAD WEIGHT: 100 KGS / 220 LBS

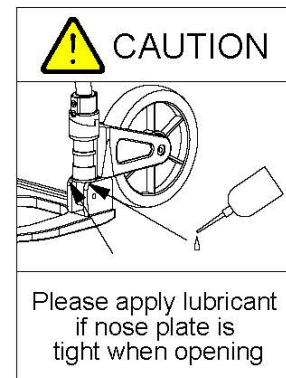
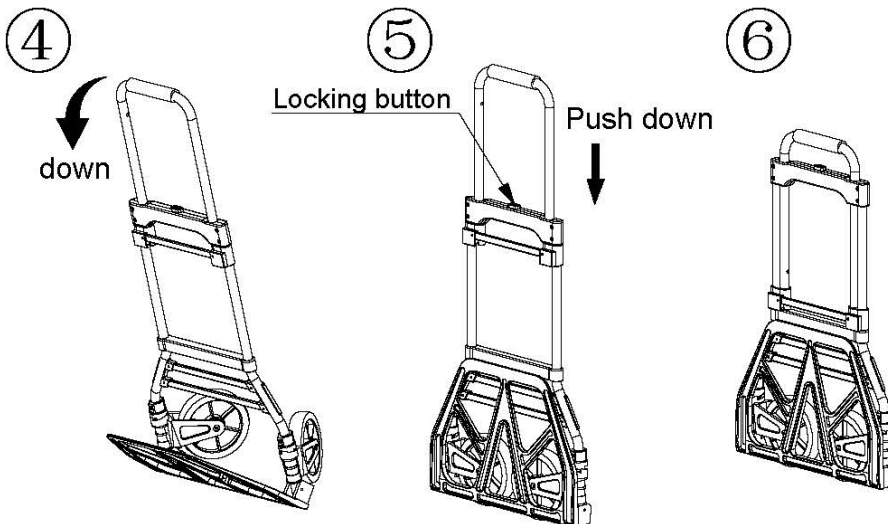


HOW TO OPEN THE HAND TRUCK

Press the locking button and pull the handle up as show in illustration (1).

Open the loading plate to the fully opened position and both wheels will automatically extend out as show in illustration (2).

The hand truck is ready for use as show in illustration (3).



HOW TO CLOSE THE HAND TRUCK

Close the loading plate to the fully upright position as show in illustration (4).

The two wheels will be folded automatically.

Press the locking button and push down the handle as show in illustration (5).

The hand truck is closed as show in illustration (6).

⚠ Caution: For your safety, please do not exceed the load weight of 100 KGS / 220 Lbs